

THANK YOU FOR YOUR PURCHASE OF THE D|MOUNT |

## THE SETUP |

### STEP 1

Install the included 2-56 setscrew into the baseplate for the camera you are using according to the diagram (see reverse.) The setscrew should thread in about half way. (Only the Canon 5DII, 7D, 60D, T2i and T3i are supported. Leave this screw out for other cameras.) This is a locking screw that will help prevent the camera from rotating on the baseplate.

### STEP 2

Attach the D|Mount to the bottom of your camera using the included 1/4-20" pan head screw.

### STEP 3

Remove the standard rail mount from the D|Focus and attach the D|Focus to the D|Mount using the included 3/4" carriage screw.

### STEP 4

Adjust the D|Focus to line up the drive gear and focus ring of your lens and lock in place using the red thumbscrew on the baseplate.



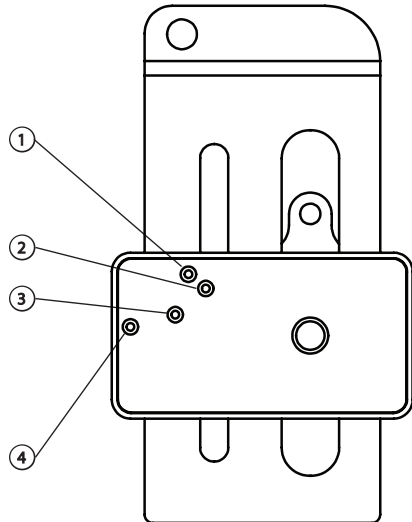


## PACKAGE CONTENTS

- |   |                          |   |                                 |
|---|--------------------------|---|---------------------------------|
| 1 | D MOUNT                  | 5 | 3/4" Carriage Screw & Thumb Nut |
| 2 | 0.035" Hex Key           | 6 | 3/4" Pan Head Screw             |
| 3 | 5/64" Hex Key            | 7 | Logo Sticker                    |
| 4 | Two 2-56 1/4" Set Screws |   |                                 |

## LOCKING PIN DIAGRAM

- |   |            |
|---|------------|
| 1 | 60D        |
| 2 | T2i / T3i  |
| 3 | 5D Mark II |
| 4 | 7D         |



## MORE INFO

- ▶ Video tutorials available at: <http://www.dfocussystem.com/support>
- ✉ Questions or comments contact: [dfocusinfo@gmail.com](mailto:dfocusinfo@gmail.com)
- 🖱 Visit our website at: <http://www.dfocussystem.com>
- 📺 Follow us on twitter: @dfocus